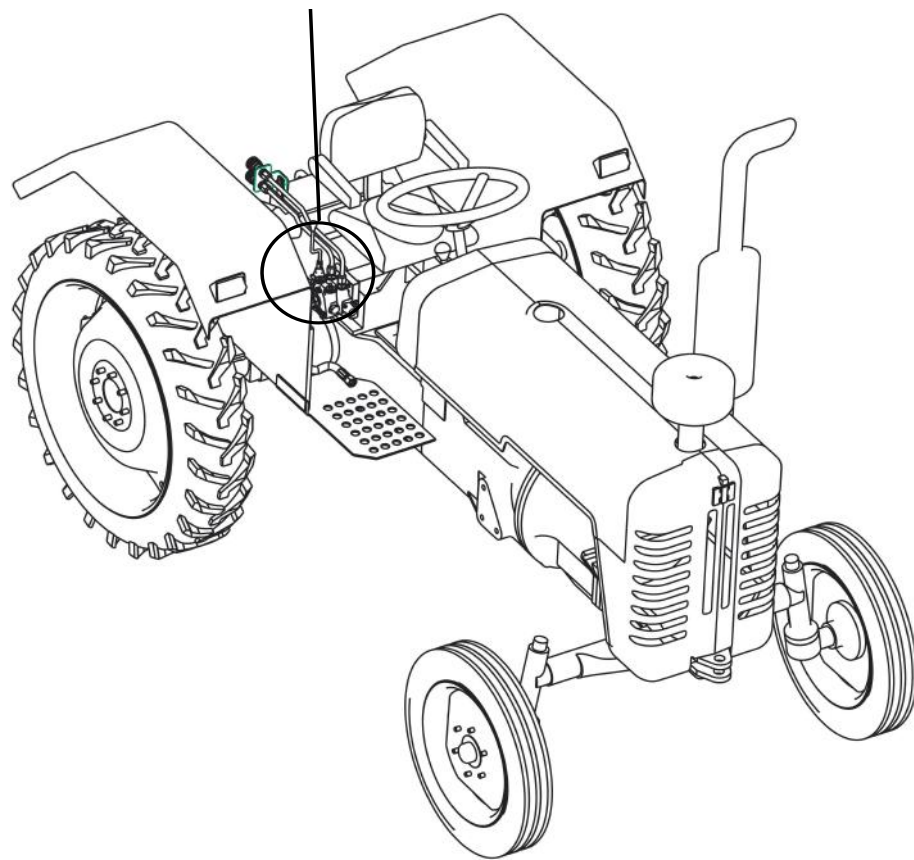
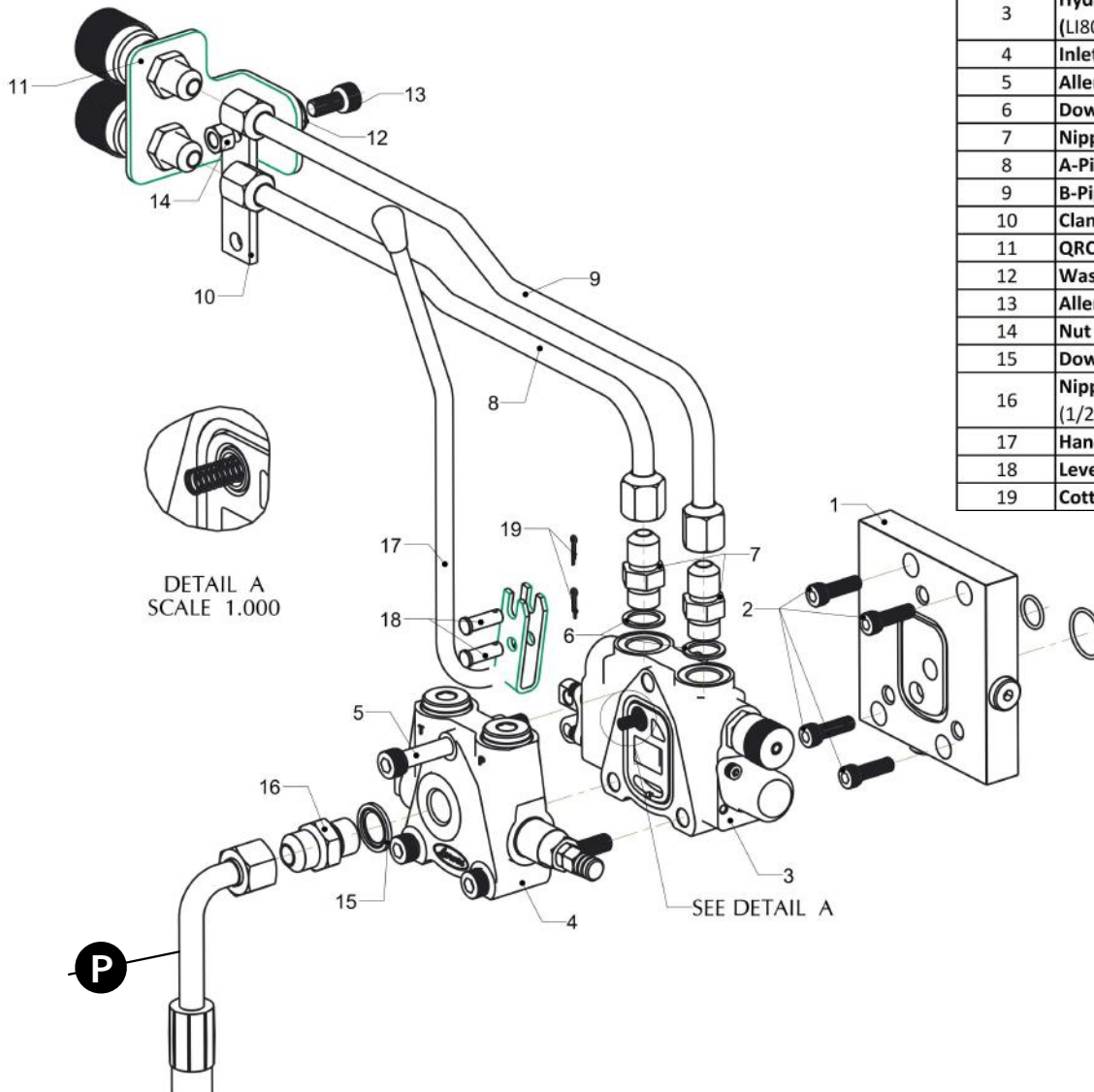




Lorven Hydraulic
Pvt. Ltd.

Tractor Side Fitting Assembly for Eicher-5 Series Hydromatic

Sr. No.	Part's Name	Quantity
1	Hydraulic plate for Eicher-548	1
2	Allen-key Bolt (M8x1.25x25)	4
3	Hydraulic Distributor (LI80/01/GS/IR/175)	1
4	Inlet Section (P,T)	1
5	Allen-key bolt (M10X1.5X90)	3
6	Dowty Seal (18 mm)	2
7	Nipple (M18X1.5)	2
8	A-Pipe	1
9	B-Pipe	1
10	Clamp Supporter	1
11	QRC set	1
12	Washer (10 mm)	1
13	Allen-key Bolt (M10X1.5X20)	1
14	Nut (M10X1.25)	1
15	Dowty Seal (1/2"-14 BSP)	1
16	Nipple (1/2"-14 BSP / 7/8-14 UNF)	1
17	Handle	1
18	Lever Pin	2
19	Cotter pin	2



Follow under given Instruction for Kit fitting:

Step-1

1. Remove Pressure pipe and Nipple which are at right side of below the seat.
2. Remove return Close plug which is at left side of P port with help of fix spanner.
3. Remove Plastic plug from four mounting hole.
3. Remove colour from the surface of P port, R port and Mounting four hole with help of Emery abrasive paper.

(Caution: Take care that dust doesn't enter in P and R port during colour removing)

Step-2

4. Fix hydraulic plate with help of Allen key bolt (sr.no.2) as shown.
5. Handle must be assembled with Hydraulic distributor (sr.no.3) before mounting it to hydraulic plate (sr.no.1).
6. Install Hydraulic distributor (sr.no.3) on Hydraulic plate (sr.no.1) and fix Inlet section (sr.no.4) above them with help of Allen key bolt (sr.no.5) as shown.

(Caution: Spring doesn't fall down during installation of Hydraulic distributor which is shown in DETAIL A)

Step-3

7. Fix Clamp supporter with help of Hex bolt of the tractor body.
8. Fix QRC set (sr.no.11) above Clamp supporter (sr.no.10) with help of Allen key bolt (sr.no.13), nut (sr.no.14) and Washer (sr.no.12) as shown.

Step-4

9. Assemble Nipple (sr.no.7) and Dowty seal (sr.no.6) on A and B port of Hydraulic distributor (sr.no.3).
10. Connect A pipe (sr.no.8) and B pipe (sr.no.9) in sequence as shown.

Step-5

11. Assemble Nipple (sr.no.16) with Dowty seal (sr.no.15) on Inlet section (sr.no.4).
12. Connect Pressure pipe with Nipple (sr.no.16) which is come out from Hydraulic pump.

APPLICATION OF DUAL ACTION

1. Oil is used for hydraulic lift and valve both are same.
2. Operation of auxiliary valve and hydraulic lift at a time is not possible.

Important Note:

For the single action Hydraulic (Tipping / Hydraulic Trolley & Reaper) use port A

For the Double action Hydraulic (Dozer / Plough) use port A & B

For the Single & Double action hydraulic operation use of the Nobe is compulsory (S &D)

Note:

1. Please do not use Teflon tap on Thread. Always use Dowty seal only.
2. If QRC Cap open then immediately capped.
3. If QRC Cap broken then immediately wrap some plastic or replace it. Otherwise warranty period not applicable.
4. Thread of Nipple must be Perpendicular to the face of the nipple. (This concept is applicable in all type of nipple.)