



Lorven Hydraulic
Pvt. Ltd.

Tractor Side Fitting Assembly for JOHN DEERE - 5105 (MITA)

Sr.no.	Part's Name	Qty.
1	Mounting Bracket (for JD-5105)	1
2	Hydraulic Distributor (LI60/01/G/IL/LA-2/150)	1
3	Mounting Bolt (M8X1.25X60)	2
4	Washer (8mm)	2
5	Lock Nut (M8X1.25)	2
6	N-Pipe	1
7	Copper washer (1/2"-14 BSP)	3
8	N-Banjo Bolt (1/2"-14 BSP)	1
9	Elbow Assembly (7/8-14 UNF / 1/2"-14 BSP)	1
10	Nipple (7/8-14 UNF / M22X1.5)	1
11	T-Pipe	1
12	Dowty seal (1/2"-14 BSP)	1
13	Nipple (7/8-14 UNF / 1/2"-14 BSP)	1
14	P-pipe	1
15	Elbow Assembly (M18X1.5 / 1/2"-14 BSP)	2
16	A-pipe	1
17	B-pipe	1
18	Spacer	1
19	Holder	1
20	Female coupling set	1
21	Nut & Washer set (M8x1.25)	1
22	Handle	1
23	Lever pin	2
24	Quarter pin	2

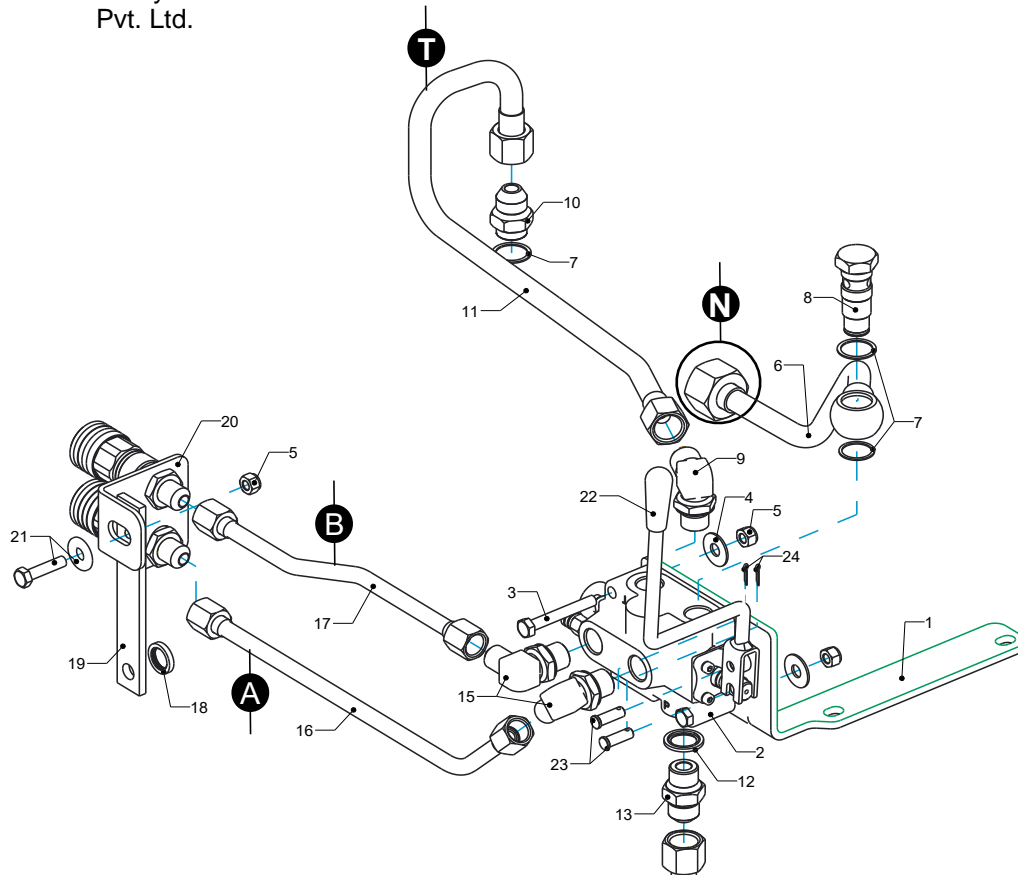
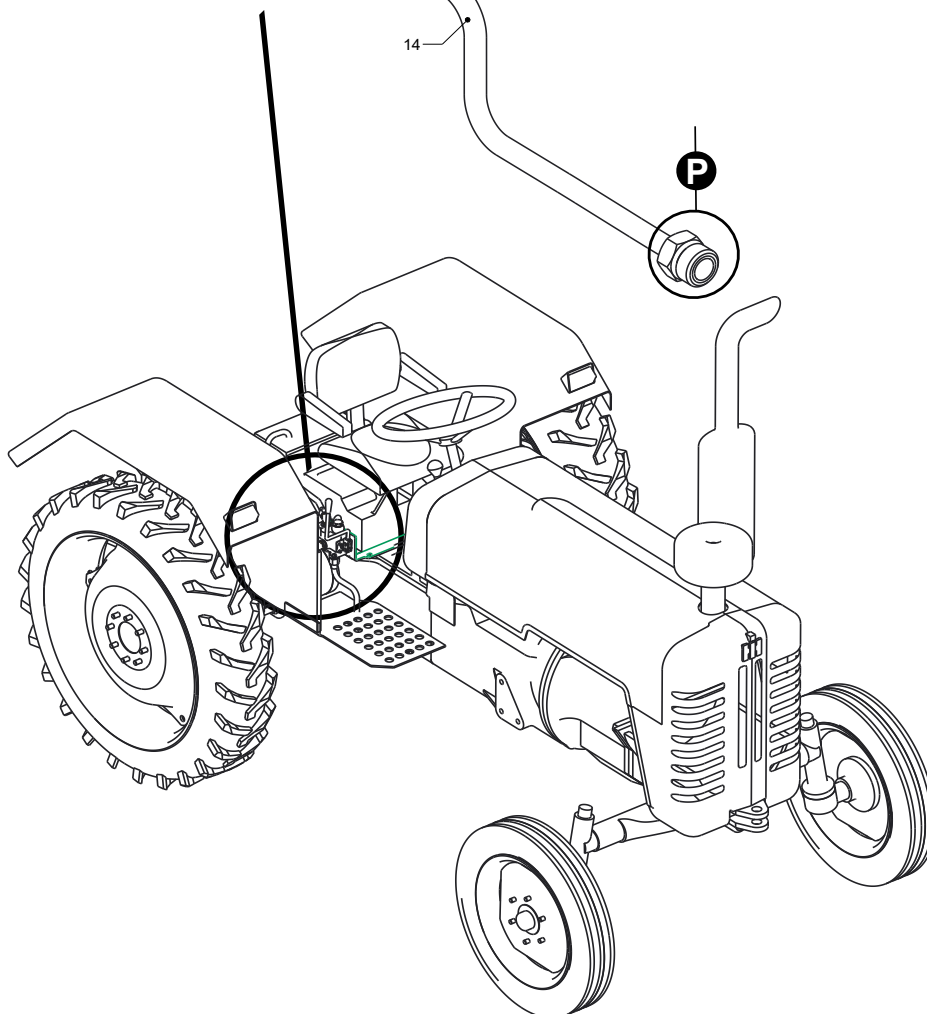


fig.A



Fitment Procedure for JOHN DEERE-5105

Follow under given Instruction for Kit fitting:

Step-1

1. First of all remove all parts which is shown in fig. 1
2. Remove Pressure pipe which is shown in fig. 2
3. Remove close plug from behind the seat as shown fig. 3



Step-2

3. Fix the Mounting Bracket (Sr. no.1) under the Driving Seat as shown in fig. 4 (*Keep it little bit loose*).
4. Install Hyd. Distributor (Sr. no.2) on Mounting Bracket (Sr. no.1) with help of Bolt (Sr. no.3), Washer (Sr. no.4) & Lock Nut (Sr. no.5). (*Keep it little bit loose*).



Step-3

5. Attach Elbow (Sr. no.9) at T Port. (*Keep it little bit loose*)

Step-4

6. Connect N-pipe (Sr. no.6) at N-port with help of N-Banjo bolt (Sr. no.8) & Copper washer (Sr. no.7) then on other end connect with Nipple of Tractor's Body as shown fig. 5 (**⚠ Please be sure O-ring doesn't fall down from Nipple**) (*Apply full torque on both End*)

Step-5

7. Attach Nipple (Sr. no.13) with Dowty seal at P-port. (Sr. no.12) (*Apply full torque*)
8. Connect Hyd. Distributor (Sr. no.2) & Tractor's Pressure pipe with Help of P-Pipe (Sr. no.14) as shown in fig. A (**⚠ Please be sure O-ring doesn't fall down from welded Nipple of P-Pipe**) (*Apply full torque on both End*)

Step-6

9. Attach Elbow (Sr. no.15) at A & B port of Hyd. Distributor (Sr. no.1) and arrange according to fig. A (*Keep it little bit loose*)
10. Now Female coupling set (Sr. no.20) assemble with A & B pipe separately. These all part's assembly arranged according to fig. A . And this assembly attach at Hyd. Distributor (Sr. no.2) with help of Elbow (Sr. no.15)
11. Fix holder (Sr. no.19) with help of Hex bolt of Tractor. Location as shown in fig. 6 (*Keep it little bit loose*) (*Apply full torque on all parts & assembly which is in Step-6*)

Step-7

12. Attach Nipple (Sr. no.10) with Copper washer (Sr. no.7) at shown location in fig. 7
13. Connect T pipe as shown in fig. A

Step-8

14. Apply full torque at mounting clamp (Sr. no.1) & Lock nut (Sr.no.5)
15. Attach Handle as shown in fig. A

Note:

1. Please do not use Teflon tap on Thread. Always use Dowty seal only.
2. If QRC Cap open then immediately capped.
3. If QRC Cap broken then immediately wrap some plastic or replace it. Otherwise warranty period not applicable.
4. Thread of Nipple must be Perpendicular to the face of the nipple. (This concept is applicable in all type of nipple.)

